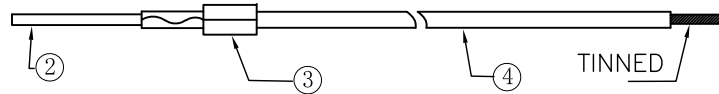
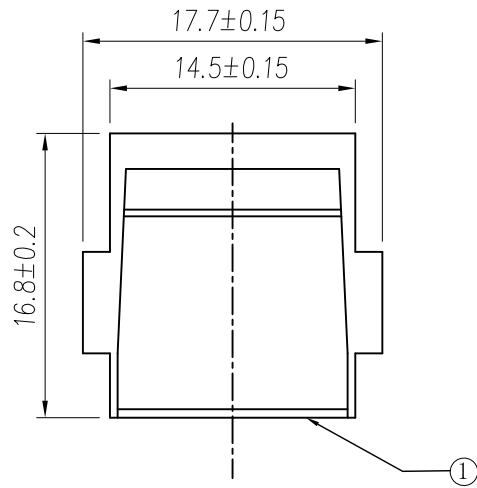
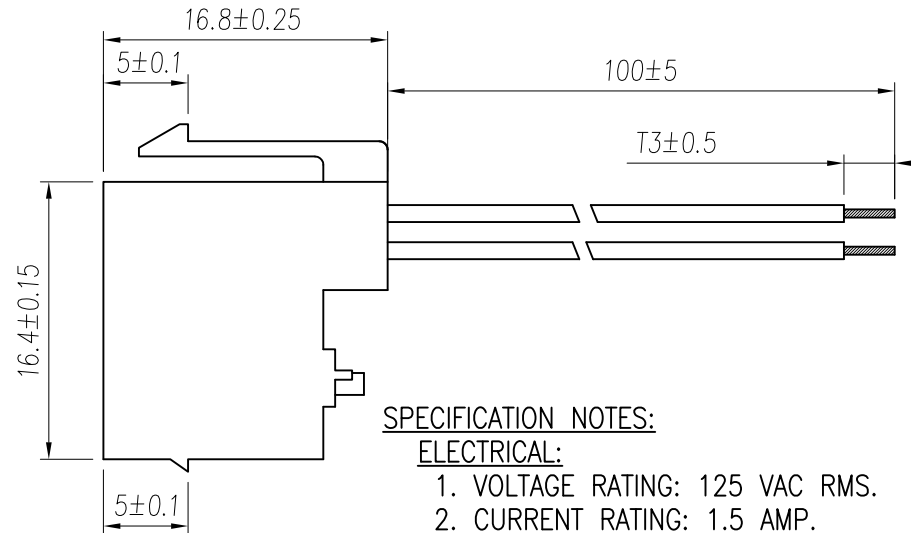
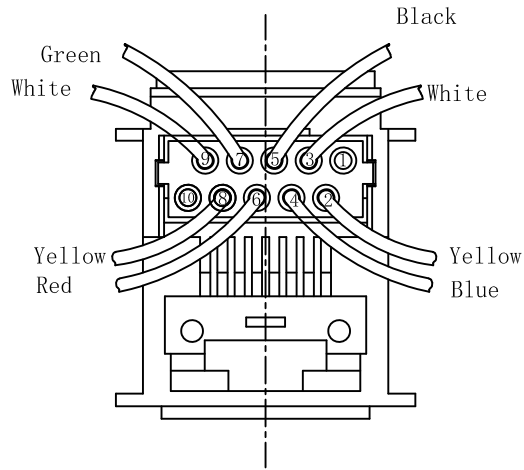


REV.	ECN NO OR DESCRIPTION	REVISED	DATE
AO	INITIAL RELEASE	KEN	24.01.30



SPECIFICATION NOTES:

ELECTRICAL:

- VOLTAGE RATING: 125 VAC RMS.
- CURRENT RATING: 1.5 AMP.
- CONTACT RESISTANCE: 20mΩ MAX.
- INSULATION RESISTANCE: 1000MΩ MIN. AT 500V DC.
- DIELECTRIC STRENGTH: 1000 V AC OR 1500V DC RMS AT 0.5mA
50 Hz / 60 Hz FOR 1 MINUTE.

MATERIALS:

- HOUSING: ABS
- CONTACT MATERIAL: DIA. PHOSPHOR BRONZE $\phi=0.46$ MM.
PLATING: GOLD PLATING AT CONTACT AREA, NICKEL 30U MIN. OVER ALL.
- TERMINAL: BRASS.
- CABLE: 1061 26AWG.

MECHANICAL:

- OPERATING LIFE: 750 CYCLES MIN.
- MATING/UNMATING FORCE: 30N/3.06KG MAX.
- RETENTION STRENGTH: 50N MIN. FOR 60S±5S.

ENVIRONMENTAL:

- STORAGE: 0°C TO +70°C RELATIVE HUMIDITY < 80%
- GUARANTEE PERIOD: 6 MONTHS.
- OPERATION: 0°C TO +70°C.

UNLESS OTHERWISE SPECIFIED TOLERANCES		Coorle Technology	
DECIMALS:	ANGLES:	TITLE	Modular Jack 648K 8P
X :±0.20	X :±3°	DWN	Michael 24.01.30 PART-NO:
X.X :±0.10	X.X :±1°	CHKD	UNIT: mm
X.XX :±0.05		APVD	SHEET: 1 OF 1
		SCALE: 1/1	
ENGINEERING COPY			